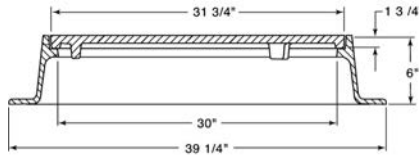


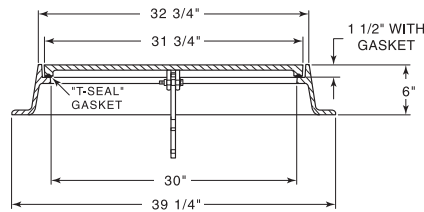
R-1743
Large Manhole Frame, Solid Lid

Heavy Duty



R-1743-LM
LiftMate Frame, Solid Gasketed Lid

Heavy Duty



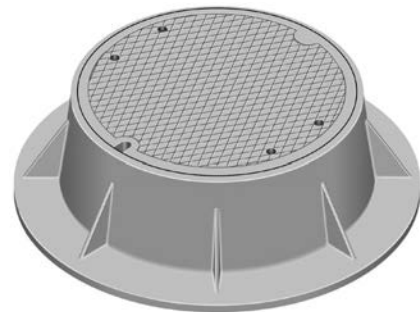
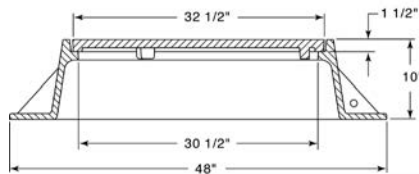
Furnished with four 1" anchor holes on 36-7/8" diameter bolt circle.

Hinge plug available for self-seal application.

See p. 13 for LiftMate information.

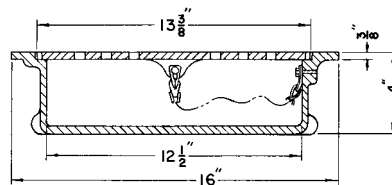
R-1747
Large Manhole Frame, Vented Lid

Heavy Duty



R-1748
Sump Frame, Vented Lid

Light Duty



For use in electrical or telephone vaults to collect condensation or surface seepage. Cover is perforated to act as drain. Note attachment of cover to frame with vinyl coated galvanized aircraft strand.